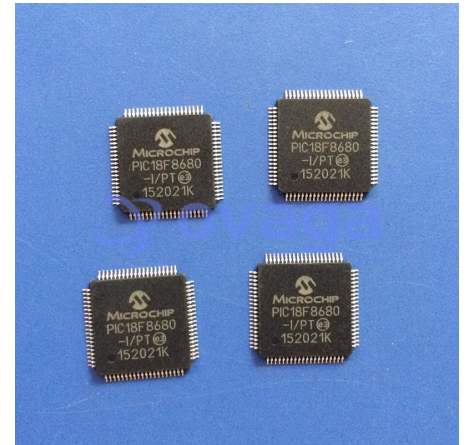


8 Bit MCU, Flash, PIC18 Family PIC18F86xx Series Microcontrollers, 40 MHz, 64 KB, 3.25 KB, 80 Pins

Manufacturers	<a href="#">Microchip Technology, Inc</a>
Package/Case	TQFP-80
Product Type	Programmable Logic ICs
RoHS	
Lifecycle	



Images are for reference only

Please submit RFQ for PIC18F8680-I/PT or [Email to us: sales@ovaga.com](mailto:sales@ovaga.com) We will contact you in 12 hours.

[RFQ](#)

## General Description

### Features

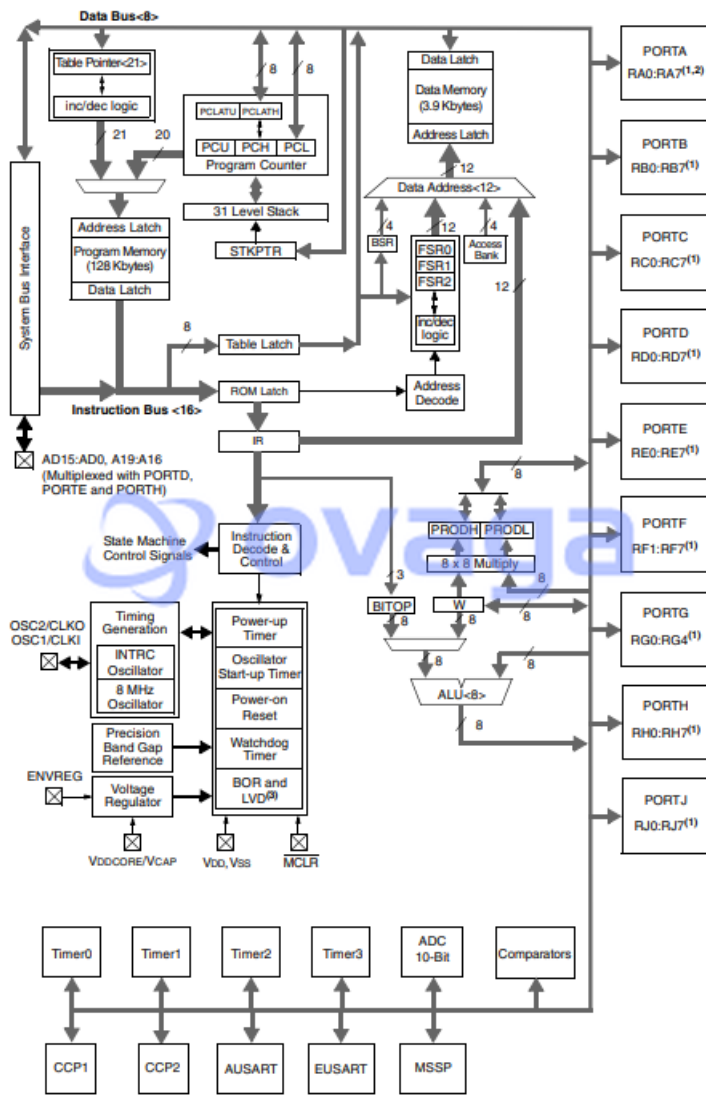
ECAN™

Self-Programming

40 MHz Max Speed

LIN USART





## Related Products



### [PIC18LF8722-I/PT](#)

Microchip Technology, Inc  
TQFP-80



### [PIC18F8622-I/PT](#)

Microchip Technology, Inc  
TQFP-80



### [PIC18F2550-I/SO](#)

Microchip Technology, Inc  
SOIC-28



### [PIC18F252-E/SO](#)

Microchip Technology, Inc  
SOIC-28



### [PIC18F2420-I/SP](#)

Microchip Technology, Inc  
SPDIP-28



### [PIC16F917-I/PT](#)

Microchip Technology, Inc  
TQFP-44



[PIC18F45K20-I/PT](#)

Microchip Technology, Inc

TQFP-44



[PIC18LF8720-I/PT](#)

Microchip Technology, Inc

TQFP-80