

SP Amp Variable Gain Amp Single 5.5V 24-Pin LFCSP EP Tray

Manufacturers	Analog Devices, Inc
Package/Case	LFCSP-24
Product Type	Integrated Circuits (ICs)
RoHS	
Lifecycle	

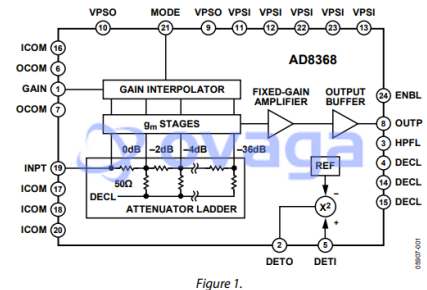


Figure 1.

Images are for reference only

Please submit RFQ for AD8368ACPZ or [Email to us: sales@ovaga.com](mailto:sales@ovaga.com) We will contact you in 12 hours.

[RFQ](#)

General Description

AD8368ACPZ is an analog RMS (Root Mean Square) power detector designed and manufactured by Analog Devices Inc. It is a high-frequency, wideband device that operates in the frequency range of 50 MHz to 6 GHz. The device has a low power consumption of 10 mA, which makes it suitable for use in portable and battery-powered applications.

Features

- Wide frequency range: 50 MHz to 6 GHz
- RMS response: accurate power measurement independent of the signal waveform
- High dynamic range: -65 dBm to +5 dBm
- Low power consumption: 10 mA
- Small package: 16-lead LFCSP (4mm x 4mm)

Application

- Power measurement in RF and wireless systems
- Gain control in amplifiers and attenuators
- AGC (Automatic Gain Control) circuits in receivers and transmitters
- Signal strength indicators in wireless communication systems
- Modulation quality measurement in digital communication systems

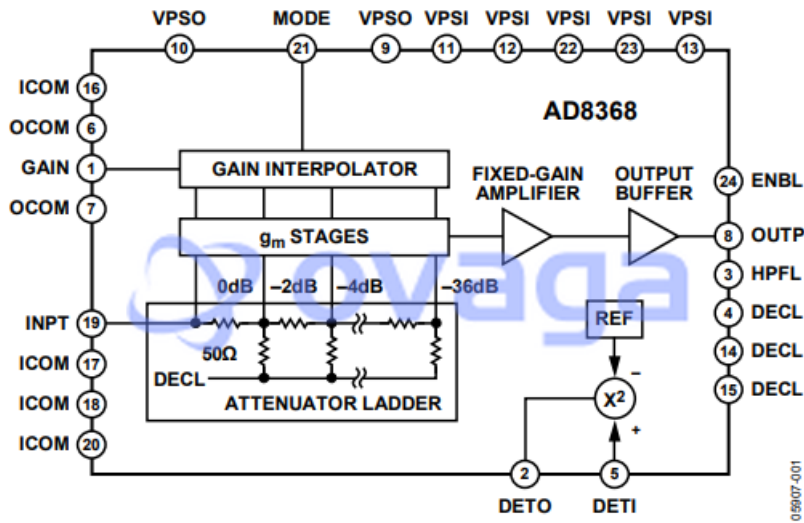
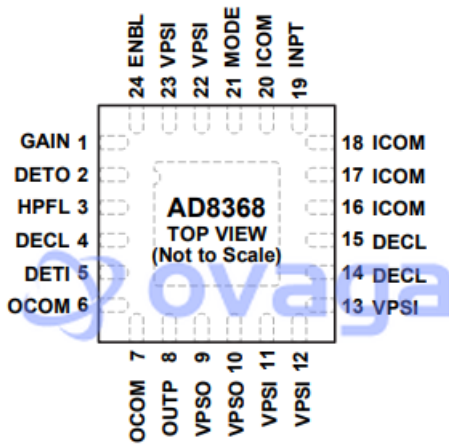


Figure 1.



NOTES
1. EXPOSED PAD. CONNECT EPAD TO LOW IMPEDANCE GROUND.

Figure 2. Pin Configuration

Related Products



[ADUM1300](#)
Analog Devices, Inc



[ADG5409BCPZ](#)
Analog Devices, Inc
LFCSP-16



[ADR391AUJZ](#)
Analog Devices, Inc
SOT23-5



[ADL5310ACPZ](#)
Analog Devices, Inc
LFCSP-24



[ADG3308BCPZ](#)
Analog Devices, Inc
20LFCSP



[ADCMP600BKSZ](#)
Analog Devices, Inc
SC-70-5



[ADM7171ACPZ](#)

Analog Devices, Inc

LFCSP8



[ADCMP601BKSZ](#)

Analog Devices, Inc

SC70