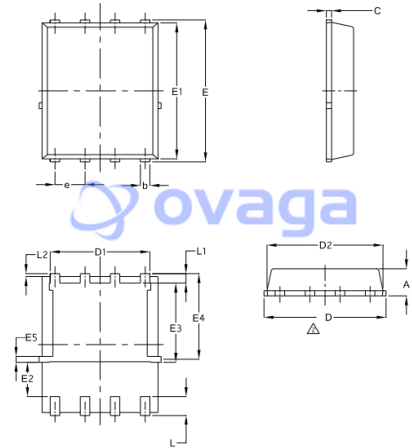


Single N-Channel 60 V 4.3 mOhm 73 nC SMT Hexfet Power Mosfet - PQFN 5x6

Manufacturers	Infineon Technologies Corporation
Package/Case	PQFN-8
Product Type	Transistors
RoHS	Green
Lifecycle	



Images are for reference only

Please submit RFQ for IRFH7545TRPBF or [Email to us: sales@ovaga.com](mailto:sales@ovaga.com) We will contact you in 12 hours.

[RFQ](#)

General Description

The StrongIRFET™ power MOSFET family is optimized for low $R_{DS(on)}$ and high current capability. The devices are ideal for low frequency applications requiring performance and ruggedness. The comprehensive portfolio addresses a broad range of applications including DC motors, battery management systems, inverters, and DC-DC converters.

Industry standard surface-mount power package

Product qualification according to JEDEC standard

Silicon optimized for applications switching below <100 kHz

Softer body-diode compared to previous silicon generation

Wide portfolio available

Standard pinout allows for drop in replacement

Industry standard qualification level

High performance in low frequency applications

Increased power density

Provides designers flexibility in selecting the most optimal device for their application

Battery powered applications

Power tools

DC motor drives

Light Electric Vehicles (LEV)

SMPS

Features

Optimized for broadest availability from distribution partners

Product qualification according to JEDEC standard

Optimized for 10V gate-drive voltage (called Normal level)

Silicon optimized for applications switching below <100KHz

Softer body-diode compared to previous silicon generation

Industry standard surface-mount power package

Application

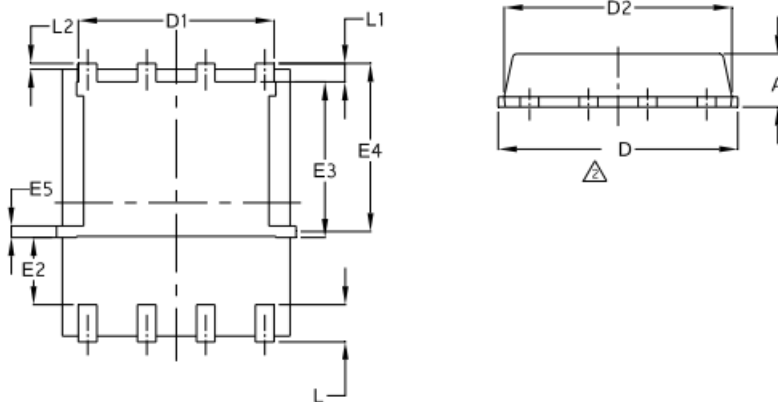
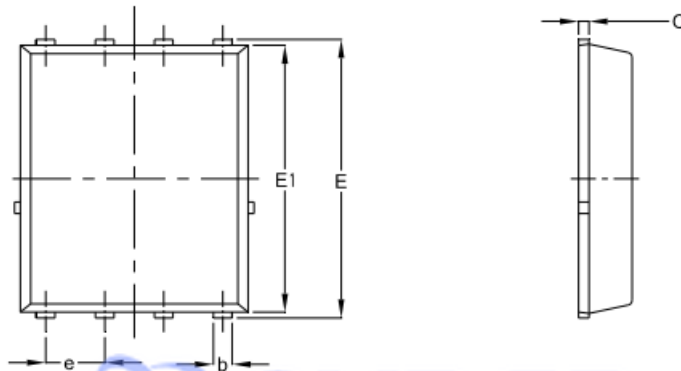
Battery powered applications

Power tools

DC motor drives

Light Electric Vehicles (LEV)

SMPS



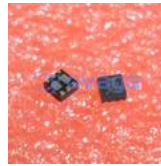
PQFN 5 x 6 mm

Related Products



[IRLTS6342TRPBF](#)

Infineon Technologies Corporation
TSOP-6



[IRLHS6376TRPBF](#)

Infineon Technologies Corporation
PQFN2x2DD



[IRF9310PBF](#)

Infineon Technologies Corporation
SOIC-8



[IRFH9310TRPBF](#)

Infineon Technologies Corporation
PQFN-8



[IRF9358TRPBF](#)

Infineon Technologies Corporation
SOP-8



[IRFB7430PBF](#)

Infineon Technologies Corporation
TO-220



[IRFB3307ZPBF](#)

Infineon Technologies Corporation
TO-220AB



[IRF7351TRPBF](#)

Infineon Technologies Corporation
SOIC-8