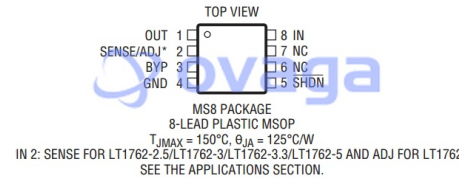


IC REG LDO 5V 0.15A 8MSOP

Manufacturers	<a href="#">Analog Devices, Inc</a>
Package/Case	MSOP8
Product Type	Power Management ICs
RoHS	Pb-free Halide free
Lifecycle	



Images are for reference only

Please submit RFQ for LT1762EMS8-5#TRPBF or [Email to us: sales@ovaga.com](mailto:sales@ovaga.com) We will contact you in 12 hours.

[RFQ](#)

## General Description

The LT1762 series are micropower, low noise, lowdropout regulators. The devices are capable of supplying 150mA of output current with a dropout voltage of 270mV. Designed for use in battery-powered systems, the low 25µA quiescent current makes them an ideal choice. Quiescent current is well controlled; it does not rise in dropout as it does with many other regulators.

A key feature of the LT1762 regulators is low output noise. With the addition of an external 0.01µF bypass capacitor, output noise drops to 20µVRMS over a 10Hz to 100kHz bandwidth. The LT1762 regulators are stable with output capacitors as low as 2.2µF. Small ceramic capacitors can be used without the series resistance required by other regulators.

Internal protection circuitry includes reverse battery protection, current limiting, thermal limiting and reverse current protection. The parts come in fixed output voltages of 2.5V, 3V, 3.3V and 5V, and as an adjustable device with a 1.22V reference voltage. The LT1762 regulators are available in the 8-lead MSOP package.

## Features

Low Noise: 20 $\mu$ V<sub>RMS</sub> (10Hz to 100kHz)

Low Quiescent Current: 25 $\mu$ A

Wide Input Voltage Range: 1.8V to 20V

Output Current: 150mA

Very Low Shutdown Current: < 1 $\mu$ A

Low Dropout Voltage: 270mV

No Protection Diodes Needed

Fixed Output Voltages: 2.5V, 3V, 3.3V, 5V

Adjustable Output from 1.22V to 20V

Stable with 2.2 $\mu$ F Output Capacitor

Stable with Aluminum, Tantalum or Ceramic Capacitors

Reverse Battery Protection

No Reverse Current

Overcurrent and Overtemperature Protected

8-Lead MSOP Package

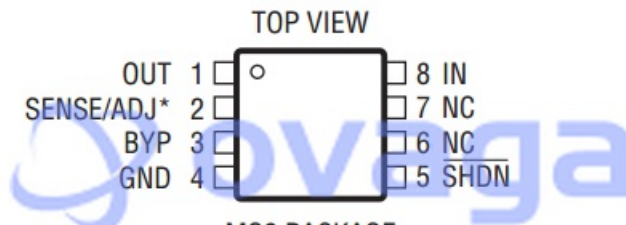
## Application

Cellular Phones

Battery-Powered Systems

Frequency Synthesizers

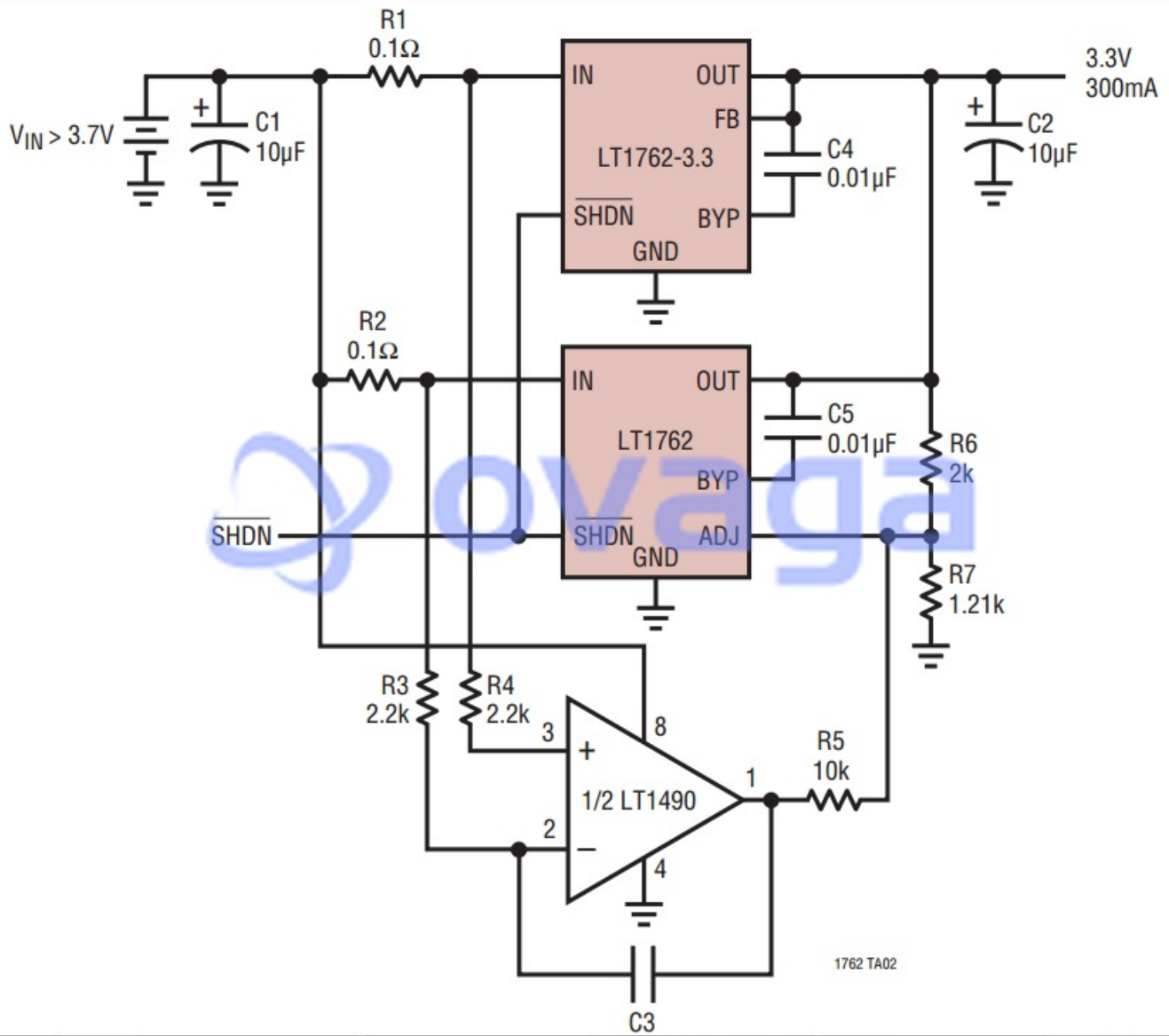
Noise-Sensitive Instrumentation Systems



MS8 PACKAGE  
8-LEAD PLASTIC MSOP

$T_{JMAX} = 150^{\circ}\text{C}$ ,  $\theta_{JA} = 125^{\circ}\text{C/W}$

IN 2: SENSE FOR LT1762-2.5/LT1762-3/LT1762-3.3/LT1762-5 AND ADJ FOR LT1762-5  
SEE THE APPLICATIONS SECTION.



## Related Products



[LT3763EFE](#)

Analog Devices, Inc  
TSSOP28



[LT1038CK](#)

Analog Devices, Inc  
TO-3



[LTC4417IUF](#)

Analog Devices, Inc  
QFN-24



[LTC3440EMS](#)

Analog Devices, Inc  
MSOP10



[LTC1966CMS8#PBF](#)

Analog Devices, Inc  
MSOP-8P



[LTC2990IMS#PBF](#)

Analog Devices, Inc  
10MSOP



[LTM8045EY#PBF](#)

Analog Devices, Inc

BGA40



[LT4295IUFD#PBF](#)

Analog Devices, Inc

28-WFQFN