

6-Pin DIP Low Input Current Schmitt Trigger Output Optocoupler; Package: SMDIP-W; No of Pins: 6; Container: Tape & Reel, Logic Output Optocouplers Optocoupler LC Schmitt Trigger

Manufacturers	ON Semiconductor, LLC
Package/Case	DIP-6 Gull Wing
Product Type	Logic Output Optocouplers
RoHS	Green
Lifecycle	

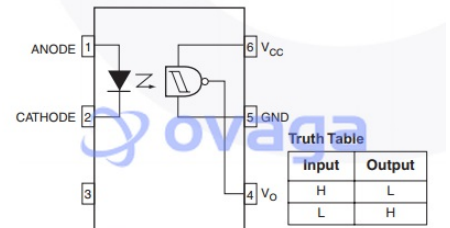


Figure 1. Schematic

Images are for reference only

Please submit RFQ for H11N1SR2M or [Email to us: sales@ovaga.com](mailto:sales@ovaga.com) We will contact you in 12 hours.

RFQ

General Description

Application

ONSEMI

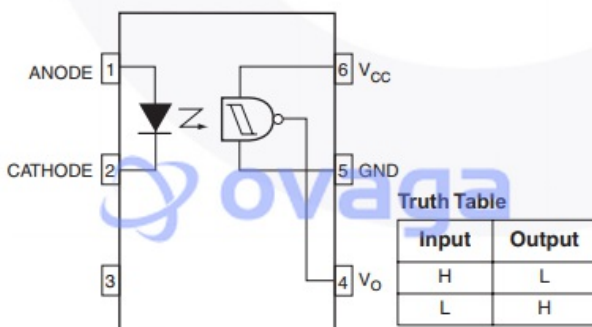


Figure 1. Schematic

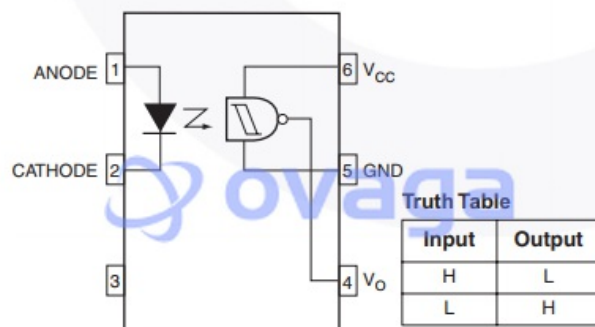


Figure 1. Schematic

Related Products



[H11L1SR2VM](#)

ON Semiconductor, LLC
DIP-6



[H11G2SR2M](#)

ON Semiconductor, LLC
SOP6



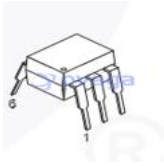
H11G2M

ON Semiconductor, LLC
DIP6



H11B1VM

ON Semiconductor, LLC
PDIP-6



H11F1SR2M

ON Semiconductor, LLC
PDIP-6



H11F3M

ON Semiconductor, LLC
PDIP-6



H11AA1SR2M

ON Semiconductor, LLC
PDIP-6



H11AA1SM

ON Semiconductor, LLC
PDIP-6