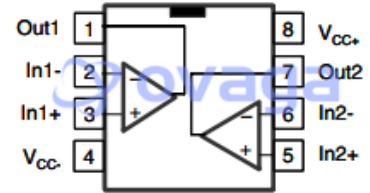


Operational Amplifier, 2 Amplifier, 1 MHz, 0.6 V/ $\mu$ s, 3V to 16V, SOIC, 8 Pins

Manufacturers	<a href="#">STMicroelectronics, Inc</a>
Package/Case	SO-8
Product Type	Amplifier ICs
RoHS	Green
Lifecycle	



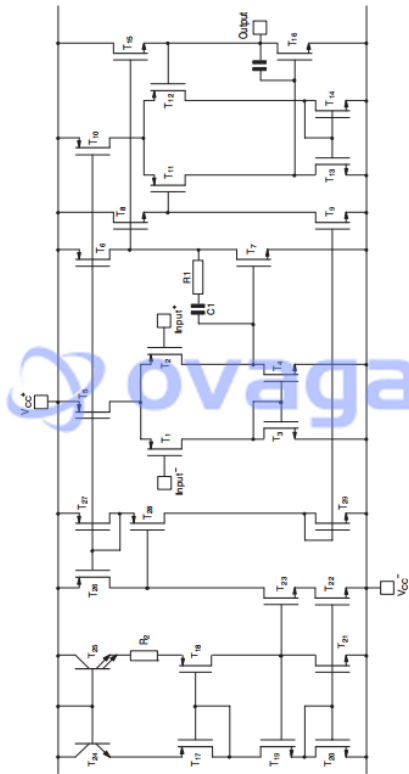
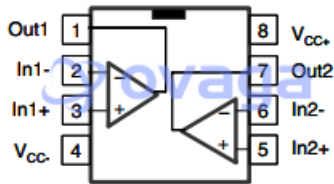
Images are for reference only

Please submit RFQ for TS27M2CDT or [Email to us: sales@ovaga.com](mailto:sales@ovaga.com) We will contact you in 12 hours.

[RFQ](#)

## General Description

Ovaga has a large stock of TS27M2CDT Amplifier ICs from STMicroelectronics, Inc and we guarantee that they are original, brand new parts sourced directly from STMicroelectronics, Inc We can provide quality testing reports for TS27M2CDT upon your request. To obtain a quote, simply fill in the required quantity, contact name, and email address in the quick quote form on the right. Our sales representative will contact you within 12 hours.

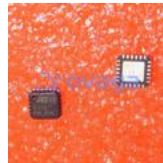


**Related Products**



[TSC101BILT](#)

ST  
SOT23-5



[TS4721QIT](#)

STMicroelectronics, Inc  
QFN-24



[TSV321RILT](#)

STMicroelectronics, Inc  
SOT-23



[TSV358IDT](#)

STMicroelectronics, Inc  
SO-8



[TSV991AIYLT](#)

STMicroelectronics, Inc  
SOT23-5



[TS931ILT](#)

ST  
SOT-23-5



[TSM103WAIDT](#)

STMicroelectronics, Inc  
SOP-8



[TS4990IDT](#)

STMicroelectronics, Inc  
SO-8