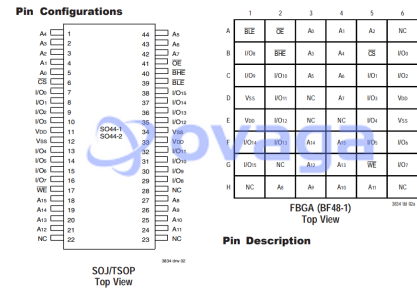


IC SRAM 1MBIT 12NS 44TSOP; HT SUSA CODE:8542320040

Manufacturers	<a href="#">Renesas Technology Corp</a>
Package/Case	SOP44
Product Type	Memory
RoHS	Rohs
Lifecycle	



Images are for reference only

Please submit RFQ for 71V016SA12PHG or [Email to us: sales@ovaga.com](mailto:sales@ovaga.com) We will contact you in 12 hours.

[RFQ](#)

## General Description

The 71V016 3.3V CMOS SRAM is organized as 64K x 16. All bidirectional inputs and outputs of the 71V016 are LVTTTL-compatible and operation is from a single 3.3V supply. Fully static asynchronous circuitry is used, requiring no clocks or refresh for operation.

## Features

Equal access and cycle times — Commercial: 10/12/15/20ns — Industrial: 12/15/20ns

One Chip Select plus one Output Enable pin

Bidirectional data inputs and outputs directly LVTTTL-compatible

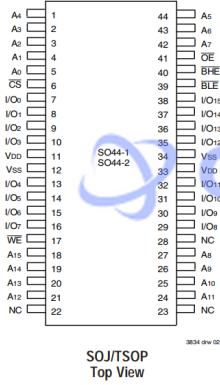
Low power consumption via chip deselect

Upper and Lower Byte Enable Pins

Single 3.3V power supply

Available in 44-pin Plastic SOJ, 44-pin TSOP, and 48-Ball Plastic FBGA packages

**Pin Configurations**

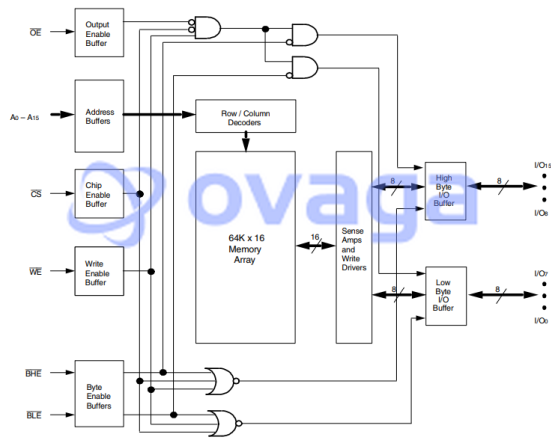


	1	2	3	4	5	6
A	BCE	OE	A0	A1	A2	NC
B	IO0	BFE	A3	A4	CS	IO6
C	IO1	IO10	A5	A6	IO1	IO2
D	VSS	IO11	NC	A7	IO3	VDD
E	IO0	IO12	NC	NC	IO4	VSS
F	IO14	IO13	A14	A15	IO5	IO6
G	IO15	NC	A12	A13	WE	IO7
H	NC	A8	A9	A10	A11	NC

FBGA (BF48-1)  
Top View

**Pin Description**

**Functional Block Diagram**



**Related Products**



[71016S12YG](#)  
Renesas Technology Corp  
SOJ-44



[71V416L10PHG](#)  
Renesas Technology Corp  
TSOP-44



[71024S20YGI](#)  
Renesas Technology Corp  
SOIC-32



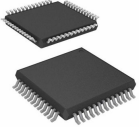
[DF2371RVLP34V](#)  
Renesas Technology Corp  
145-LGA



[7130SA35J](#)  
Renesas Technology Corp  
PLCC-52



[71256S70DB](#)  
Renesas Technology Corp  
28-CDIP (0.600, 15.24mm)



[71321LA55PPGI](#)  
Renesas Technology Corp  
52-LQFP



[DF2371VLP34V](#)  
Renesas Technology Corp  
145-LGA