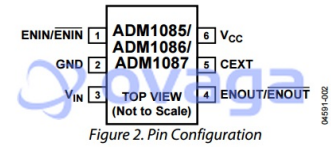


Simple Sequencing Circuit, 2.25 V to 3.6 V_{supp.}, 600 mV threshold/0.5 μs delay, Open Drain, SC-70-6



Manufacturers	Analog Devices, Inc
Package/Case	SC70-6
Product Type	Sequencers ; Analog Sequencers
RoHS	Rohs
Lifecycle	

Images are for reference only

Please submit RFQ for ADM1087AKSZ-REEL7 or [Email to us: sales@ovaga.com](mailto:sales@ovaga.com) We will contact you in 12 hours.

[RFQ](#)

General Description

Threshold levels can be set with a pair of external resistors in a voltage divider configuration. By choosing appropriate resistor values, the threshold can be adjusted to monitor voltages as low as 0.6V.

The ADM1086 and ADM1088 have push-pull output stages, with active-high (ENOUT) and active-low (ENOUT) logic outputs, respectively. Similarly, the ADM1085 has an active-high (ENOUT) logic output and the ADM1087 has an active-low (ENOUT) output. Both the ADM1085 and ADM1087 have open-drain output stages which can be pulled up to voltage levels as high as 22V through an external resistor. This level shifting property of the ADM1085 and ADM1087 ensures compatibility with enable input logic levels of different regulators and converters.

All four models have a dedicated enable input pin which allows the output signal to the regulator to be controlled externally. This is an active-high input (ENIN) for the ADM1085 and ADM1086, and an active-low input (ENIN) for the ADM1087 and ADM1088.

The Simple Sequencers™ are specified over the extended -40°C to +125°C temperature range, and with low current consumption of 15μA (typ) and 6-lead SC70 packaging, they are suitable for low power portable applications.

Features

Provide time delays between enabling of regulators

Can be cascaded with regulators for multiple supply sequencing

Output stages High voltage (up to 22 V) open-drain output (ADM1085/ADM1087) Push-pull output (ADM1086/ADM1088)

Power supply monitoring from 0.6 V

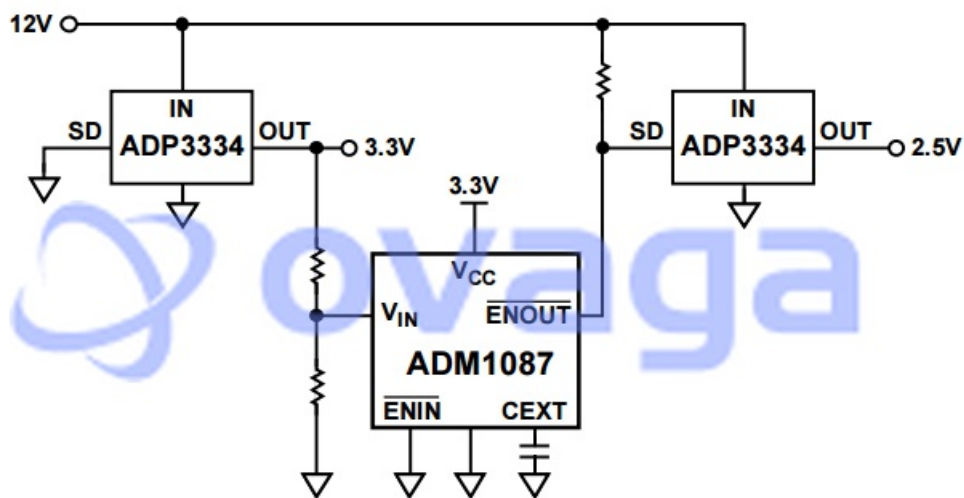
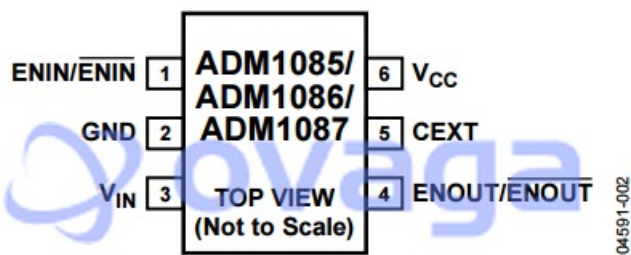
Capacitor adjustable time delays

High voltage (up to 22 V) enable input

Low power consumption (15 μ A)

Specified over -40°C to $+125^{\circ}\text{C}$ temperature range

6-lead SC70 package



Related Products



[ADP3336ARMZ-REEL7](#)

Analog Devices, Inc
MSOP-8



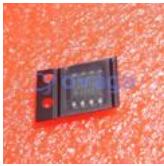
[ADP3367ARZ](#)

Analog Devices, Inc
SOIC-8



[ADP3330ARTZ3.3-RL7](#)

Analog Devices, Inc
SOT-23-6



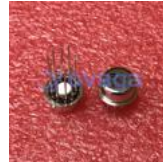
[ADR421ARZ](#)

Analog Devices, Inc
SOP-8



[AD737JRZ](#)

Analog Devices, Inc
SOP-8



[AD636JH](#)

Analog Devices, Inc
TO-100-10



[ADR434BRZ](#)

Analog Devices, Inc
SOIC-8



[ADR3412ARJZ-R7](#)

Analog Devices, Inc
SOT-23-6