

INTERSIL CA3420EZ Operational Amplifier, Single, 1 Amplifier, 500kHz, 0.5V/ $\mu$ s, 2V to 20V, DIP, 8Pins

Manufacturers	<a href="#">Renesas Technology Corp</a>
Package/Case	PDIP-8
Product Type	Amplifier ICs
RoHS	Green
Lifecycle	



Images are for reference only

Please submit RFQ for CA3420EZ or [Email to us: sales@ovaga.com](mailto:sales@ovaga.com) We will contact you in 12 hours.

[RFQ](#)

## General Description

The CA3420 is an integrated circuit operational amplifier that combines PMOS transistors and bipolar transistors on a single monolithic chip. The CA3420 BiMOS operational amplifier features gate protected PMOS transistors in the input circuit to provide very high input impedance, very low input currents (less than 1pA). The internal bootstrapping network features a unique guardbanding technique for reducing the doubling of leakage current for every 10oC increase in temperature. The CA3420 operates at total supply voltages from 2V to 20V either single or dual supply. This operational amplifier is internally phase compensated to achieve stable operation in the unity gain follower configuration. Additionally, it has access terminals for a supplementary external capacitor if additional frequency rolloff is desired. Terminals are also provided for use in applications requiring input offset voltage nulling. The use of PMOS in the input stage results in common mode input voltage capability down to 0.45V below the negative supply terminal, an important attribute for single supply application. The output stage uses a feedback OTA type amplifier that can swing essentially from rail-to-rail. The output driving current of 1.5mA (Min) is provided by using nonlinear current mirrors.

## Features

2V Supply at 300 $\mu$ A Supply Current

1pA Input Current (Typ) (Essentially Constant to 85°C)

Rail-to-Rail Output Swing (Drive  $\pm$ 2mA into 1k $\Omega$  Load)

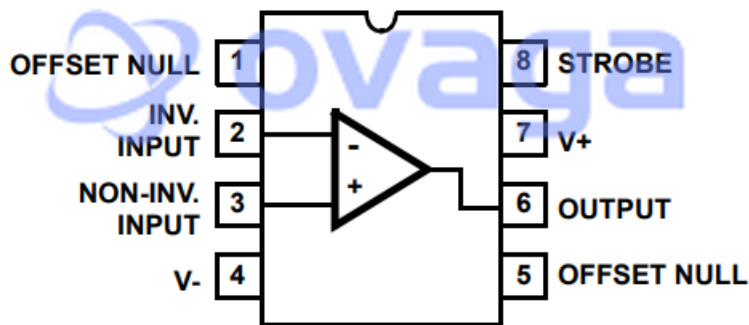
Pin Compatible with 741 Operational Amplifiers

Pb-Free Plus Anneal Available (RoHS Compliant)



## Pinout

CA3420 (PDIP)  
TOP VIEW



## Related Products



### [CA3240AEZ](#)

Renesas Technology Corp  
DIP-8



### [CA3140MZ](#)

Renesas Technology Corp  
SOIC-8



### [CA3130MZ](#)

Renesas Technology Corp  
SOIC-8



### [CA3140AMZ96](#)

Renesas Technology Corp  
SOIC-8



[CA3140AMZ](#)

Renesas Technology Corp  
SOIC-8



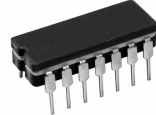
[CA3140AEZ](#)

Renesas Technology Corp  
PDIP-8



[CA3130AMZ](#)

Renesas Technology Corp  
SOIC-8



[5962-8850201CA](#)

Renesas Technology Corp  
CDIP14