

Motor / Motion Controllers & Drivers 5.0 A H-BRIDGE DRV

Manufacturers	NXP Semiconductor
Package/Case	PQFN-36
Product Type	Power Management ICs
RoHS	
Lifecycle	



Images are for reference only

Please submit RFQ for MC33887PNB or [Email to us: sales@ovaga.com](mailto:sales@ovaga.com) We will contact you in 12 hours.

[RFQ](#)

General Description

MC33887PNB is an integrated circuit (IC) designed for controlling a three-phase brushless DC motor. It is manufactured by NXP Semiconductors and is part of the SMARTMOS family of products.

Features

5.0 A h-bridge drv w/sleep

Application

DRV8313PWPR

TLE9879QXA40

BTS7960B

VNH5019A

L6235DTR

A4950ELJTR-T

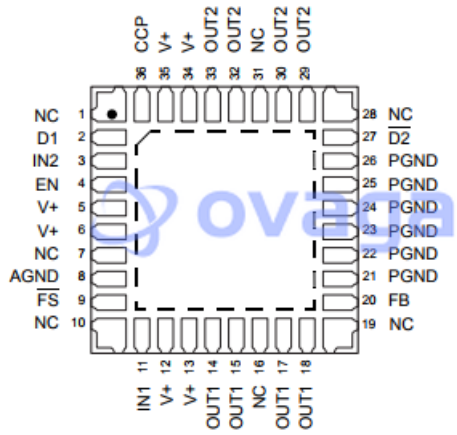


Figure 4. 33887 Pin Connections

Related Products



[MC33982BPNA](#)

NXP Semiconductor
Power QFN-16



[MC14489BPE](#)

NXP Semiconductor
DIP20



[MC06XS4200FK](#)

NXP Semiconductor
PQFN-24



[MC33486ADH](#)

NXP Semiconductor
HSOP-22



[MC3PHACVPE](#)

NXP Semiconductor
DIP-28



[MC34716EP](#)

NXP Semiconductor
QFN-26



[MCZ33285EF](#)

NXP Semiconductor
SOP-8



[MCZ33298EG](#)

NXP Semiconductor
SOIC-24