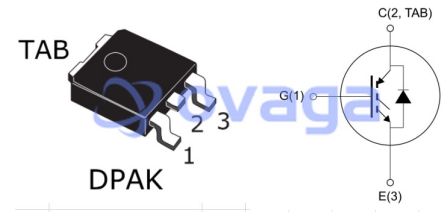


N-channel 600V - 10A - DPAK Short circuit rated PowerMESH™ IGBT, IGBT Transistors N Ch 600V 10A

Manufacturers	STMicroelectronics, Inc
Package/Case	DPAK-3
Product Type	Transistors
RoHS	Rohs
Lifecycle	



Images are for reference only

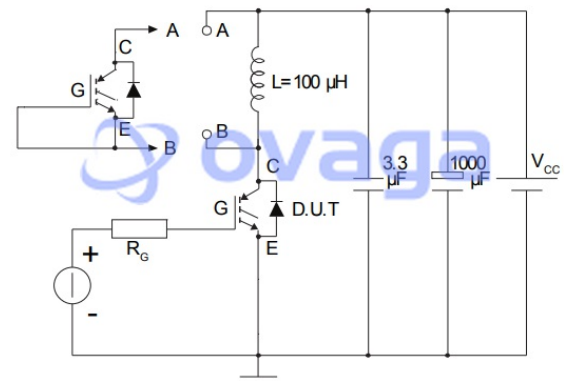
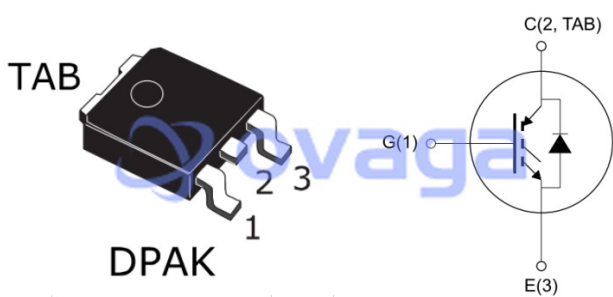
Please submit RFQ for STGD10NC60KDT4 or [Email to us: sales@ovaga.com](mailto:sales@ovaga.com) We will contact you in 12 hours.

[RFQ](#)

General Description

Ovaga has a large stock of STGD10NC60KDT4 Transistors from STMicroelectronics, Inc and we guarantee that they are original, brand new parts sourced directly from STMicroelectronics, Inc We can provide quality testing reports for STGD10NC60KDT4 upon your request. To obtain a quote, simply fill in the required quantity, contact name, and email address in the quick quote form on the right. Our sales representative will contact you within 12 hours.

Switching



Related Products



[STF42N65M5](#)

STMicroelectronics, Inc
TO-220FP



[STN3NF06](#)

STMicroelectronics, Inc
SOT-223



[STP11NM60FD](#)

STMicroelectronics, Inc
TO-220



[STP11NK50Z](#)

STMicroelectronics, Inc
TO-220-3



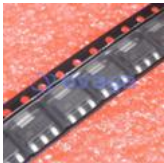
[STB75NF75](#)

STMicroelectronics, Inc
TO-263



[STN951](#)

STMicroelectronics, Inc
SOT-223



[STN9360](#)

STMicroelectronics, Inc
SOT-223



[STN83003](#)

STMicroelectronics, Inc
SOT-223