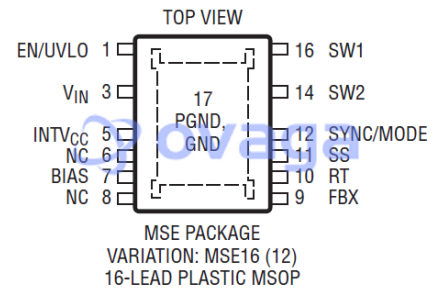


Low IQ Boost/SEPIC/Flyback/Inverting Converter with 0.5A, 140V Switch

Manufacturers	Analog Devices, Inc
Package/Case	16(12)-Lead MSOP w/ EP
Product Type	Power Management ICs
RoHS	
Lifecycle	



Images are for reference only

Please submit RFQ for LT8331EMSE#PBF or [Email to us: sales@ovaga.com](mailto:sales@ovaga.com) We will contact you in 12 hours.

[RFQ](#)

General Description

The LT8331 is a current mode DC/DC converter with a 140V, 0.5A switch operating from a 4.5V to 100V input. With a unique single feedback pin architecture, it is capable of boost, SEPIC, flyback or inverting configurations. Burst Mode operation consumes as low as 6 μ A quiescent current to maintain high efficiency at very low output currents, while keeping typical output ripple below 20mV.

The internally-compensated current mode architecture results in stable operation over a wide range of input and output voltages and programmable switching frequencies between 100kHz to 500kHz. A SYNC/MODE pin allows synchronization to an external clock. It can also be used to select between burst or pulse-skipping modes of operation. For increased efficiency, a BIAS pin can accept a second input to supply the INTVCC regulator. Additional features include frequency foldback and programmable soft-start for controlling inductor current during start-up.

The LT8331 is available in a thermally-enhanced MSOP package with four pins removed for high voltage spacings.

Features

Wide Input Voltage Range: 4.5V to 100V

Ultralow Quiescent Current and Low Ripple Burst Mode® Operation:>

0.5A, 140V Power Switch

Positive or Negative Output Voltage Programming with a Single Feedback Pin

Programmable Frequency (100kHz to 500kHz)

Synchronizable to an External Clock

BIAS Pin for Higher Efficiency

Programmable Undervoltage Lockout (UVLO)

Thermally-Enhanced High Voltage MSOP Package

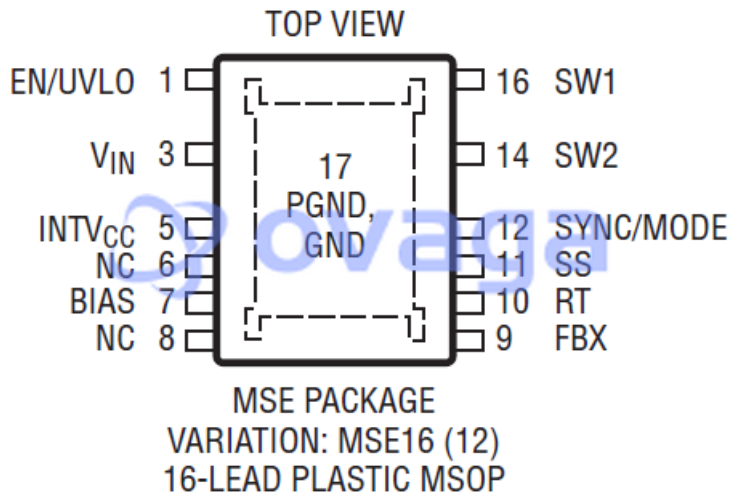
Application

Industrial and Automotive

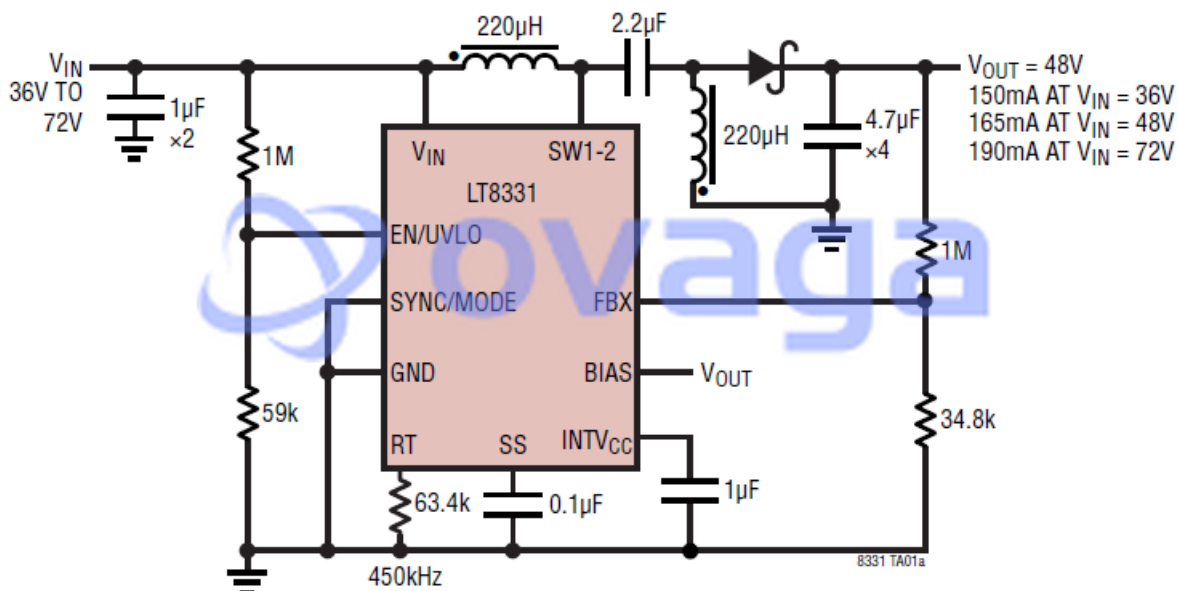
Telecom

Medical Diagnostic Equipment

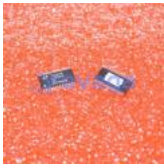
Portable Electronics



48V Output SEPIC Converter

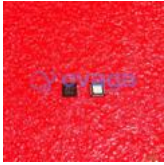


Related Products



[LT3763EFE](#)

Analog Devices, Inc
TSSOP28



[LTC4417IUF](#)

Analog Devices, Inc
QFN-24



[LTC1966CMS8#PBF](#)

Analog Devices, Inc
MSOP-8P



[LTM8045EX#PBF](#)

Analog Devices, Inc
BGA40



[LT1038CK](#)

Analog Devices, Inc
TO-3



[LTC3440EMS](#)

Analog Devices, Inc
MSOP10



[LTC2990IMS#PBF](#)

Analog Devices, Inc
10MSOP



[LT4295IUFD#PBF](#)

Analog Devices, Inc
28-WFQFN