

Analogue Switch, 4 Channels, SPST, 60 ohm,  $\pm 15V$ , SOIC, 16 Pins

|               |  |
|---------------|--|
| Manufacturers | <a href="#">Analog Devices, Inc</a>                |
| Package/Case  | SOIC-16  |
| Product Type  | Interface - Switches, Multiplexers, Demultiplexers |
| RoHS          | Rohs   |
| Lifecycle     |  |



Images are for reference only

Please submit RFQ for ADG201AKRZ or [Email to us: sales@ovaga.com](mailto:sales@ovaga.com) We will contact you in 12 hours.

[RFQ](#)

## General Description

The ADG201A is a monolithic CMOS device comprising four independently selectable switches. They are designed on an enhanced LC2MOS process which gives an increased signal handling capability of  $\pm 15V$ . These switches also feature high switching speeds and low RON.

The ADG201A switches are turned on with a logic low on the appropriate control input. Each switch conducts equally well in both directions when ON and each has an input signal range that extends to the supplies. All switches exhibit break-before-make switching action for use in multiplexer applications. Inherent in the design is low charge injection for minimum transients when switching the digital inputs.

## Features

44 V Supply Maximum Rating

Low RON (60Ω)

Low Leakage (0.5nA)

Break-Before-Make Switching Action

Extended Plastic Temperature Range (-40°C to +85°C)

Low Power Dissipation (33 mW)

TTL/CMOS Compatible

Superior Second Source for

DG201A/HI201

16-Lead DIP/SOIC Packages

ADG201A-EP supports defense and aerospace applications (AQEC standard)

[Download\(pdf\)](#)

Military temperature range: -55°C to +125°C

Controlled manufacturing baseline

One assembly and test site

One fabrication site

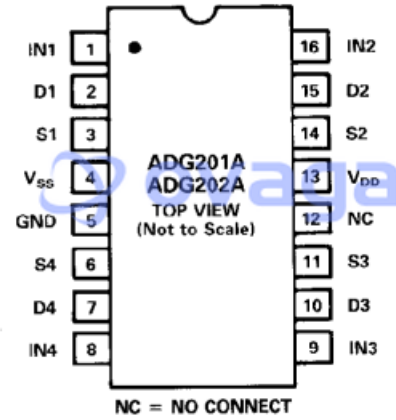
Enhanced product change notification

Qualification data available on request

V62/12638 DSCC Drawing Number



**DIP, SOIC**



**Related Products**



[ADV7181CBSTZ](#)  
Analog Devices, Inc  
LQFP-64



[AD8170AR](#)  
Analog Devices, Inc  
SOP8



[AD724JR](#)  
Analog Devices, Inc  
SOIC-16



[ADV7393BCPZ](#)  
Analog Devices, Inc  
LFCSP-VQ-40



[ADV7391WBCPZ](#)  
Analog Devices, Inc  
LFSCP-3



[ADV7390BCPZ](#)  
Analog Devices, Inc  
QFN32



[ADV7341BSTZ](#)  
Analog Devices, Inc  
LQFP-64



[ADUM4160BRIZ](#)  
Analog Devices, Inc  
SOIC-16