

Analogue to Digital Converter, 24 bit, 4.8 kSPS, Pseudo Differential, SPI, Single, 4.75 V

Manufacturers	<a href="#">Analog Devices, Inc</a>
Package/Case	LFCSP-32
Product Type	Data Conversion ICs
RoHS	Pb-free Halide free
Lifecycle	



Images are for reference only

Please submit RFQ for AD7195BCPZ or [Email to us: sales@ovaga.com](mailto:sales@ovaga.com) We will contact you in 12 hours.

[RFQ](#)

## General Description

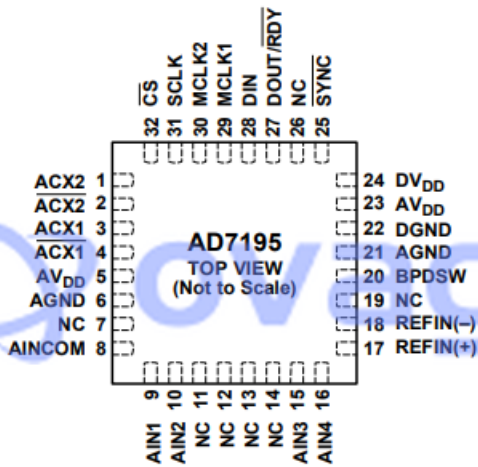
AD7195BCPZ is a high-precision, 24-bit sigma-delta analog-to-digital converter (ADC) produced by Analog Devices Inc.

### Features

- 24-bit resolution
- Programmable gain options of 1, 8, 16, or 32
- Programmable data rates up to 4.7 kSPS
- Internal low-drift voltage reference
- On-chip digital filter with selectable options

### Application

- Industrial process control and automation
- Weighing systems and load cells
- Medical and analytical instruments
- Temperature and pressure measurement
- Data acquisition systems



- NOTES  
 1. NC = NO CONNECT.  
 2. CONNECT EXPOSED PAD TO AGND.

08771-005

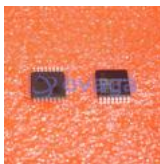
Figure 5. Pin Configuration

Related Products



[ADAS3022BCPZ](#)

Analog Devices, Inc  
 LFCSP-40



[AD7266BSUZ](#)

Analog Devices, Inc  
 TQPF-32



[AD574AJNZ](#)

Analog Devices, Inc  
PDIP-28



[AD7401YRWZ](#)

Analog Devices, Inc  
SOIC-16



[AD7938BSUZ](#)

Analog Devices, Inc  
TQFP-32



[AD7192BRUZ-REEL](#)

Analog Devices, Inc  
TSSOP-24



[AD7124-8BCPZ-RL7](#)

Analog Devices, Inc  
LFCSP-32



[AD9680BCPZ-500](#)

Analog Devices, Inc  
LFCSP-64