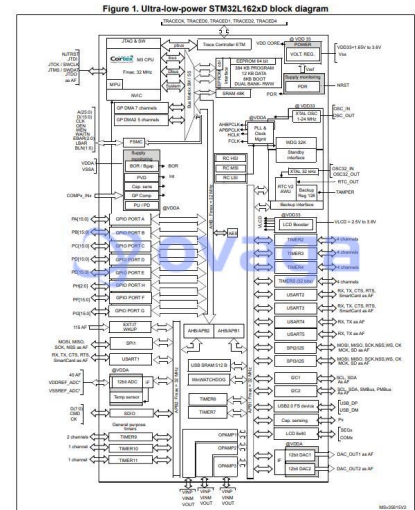


ARM MCU, Ultra Low Power, STM32 Family STM32L1 Series Microcontrollers, ARM Cortex-M3, 32bit

Manufacturers	<a href="http://www.st.com">STMicroelectronics, Inc</a>
Package/Case	LQFP6410x10x1.4W
Product Type	Embedded Processors & Controllers
RoHS	
Lifecycle	



Images are for reference only

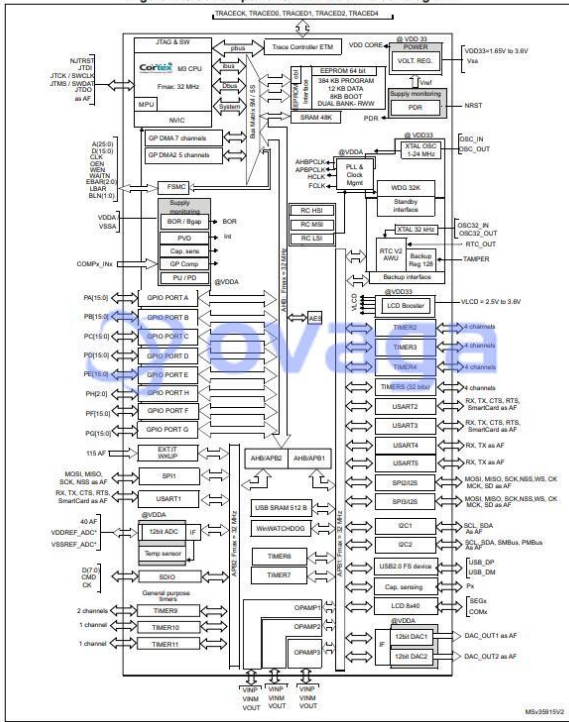
Please submit RFQ for STM32L162RDT6 or [Email to us: sales@ovaga.com](mailto:sales@ovaga.com) We will contact you in 12 hours.



## General Description

Ovaga has a large stock of STM32L162RDT6 Embedded Processors & Controllers from STMicroelectronics, Inc and we guarantee that they are original, brand new parts sourced directly from STMicroelectronics, Inc We can provide quality testing reports for STM32L162RDT6 upon your request. To obtain a quote, simply fill in the required quantity, contact name, and email address in the quick quote form on the right. Our sales representative will contact you within 12 hours.

Figure 1. Ultra-low-power STM32L162xD block diagram



**Related Products**



[STM32L151VET6](#)

STMicroelectronics, Inc  
LQFP-100



[STM32F102C6T6A](#)

STMicroelectronics, Inc  
LQFP48



[STM32L452RET6P](#)

STMicroelectronics, Inc  
64-LQFP



[STM32F446VCT6](#)

STMicroelectronics, Inc  
100-LQFP



[STM32L152VCT6](#)

STMicroelectronics, Inc  
LQFP10014x14x1.4



[STM32L476JEY6TR](#)

STMicroelectronics, Inc  
72-UFBGA, WLCSP



[STM32F429BGT6](#)

STMicroelectronics, Inc  
208-LQFP



[STM32G071CBT6TR](#)

STMicroelectronics, Inc  
48-LQFP