

3.3V / 5V ECL Dual Differential 2:1 Multiplexer, Encoders, Decoders, Multiplexers & Demultiplexers 3.3V/5V ECL Dual Diff 2:1 Mux

Manufacturers	<a href="#">ON Semiconductor, LLC</a>
Package/Case	TSSOP-20
Product Type	Logic ICs
RoHS	Rohs
Lifecycle	



Images are for reference only

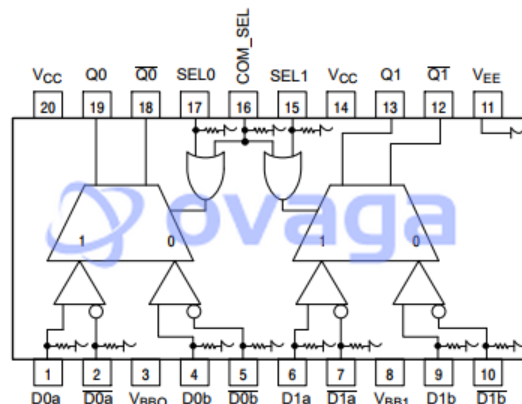
Please submit RFQ for MC100EP56DTG or [Email to us: sales@ovaga.com](mailto:sales@ovaga.com) We will contact you in 12 hours.

[RFQ](#)

## General Description

## Application

ONSEMI



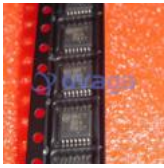
Warning: All VCC and VEE pins must be externally connected to Power Supply to guarantee proper operation.

## Related Products



[MC14094BDR2G](#)

ON Semiconductor, LLC  
SOIC-16



[MC74VHCT50ADTR2G](#)

ON Semiconductor, LLC  
TSSOP-14



[MC74VHC1G32DFT1G](#)

ON Semiconductor, LLC  
SC-70



[MC74LCX16245DTG](#)

ON Semiconductor, LLC  
TSSOP-48



[MC14013BDR2G](#)

ON Semiconductor, LLC  
SOIC-14



[MC14011BDG](#)

ON Semiconductor, LLC  
SOIC-14



[MC74VHC1G08DFT1G](#)

ON Semiconductor, LLC  
SC-70



[MC100EP52MNR4G](#)

ON Semiconductor, LLC  
QFN-24