

Analogue Switch, Quad Channel, 4 Channels, SPST, 70 ohm, 10.8V to 13.2V, $\pm 13.5V$ to $\pm 16.5V$, SOIC

Manufacturers	Analog Devices, Inc
Package/Case	SOIC-16
Product Type	Interface - Switches, Multiplexers, Demultiplexers
RoHS	Rohs
Lifecycle	



Images are for reference only

Please submit RFQ for ADG444BRZ or [Email to us: sales@ovaga.com](mailto:sales@ovaga.com) We will contact you in 12 hours.

[RFQ](#)

General Description

The ADG444 switches are turned on with a logic low on the appropriate control input. Each switch conducts equally well in both directions when ON and each has an input signal range that extends to the supplies. All switches exhibit break-before-make switching action for use in multiplexer applications. Inherent in the design is low charge injection for minimum transients when switching the digital inputs.

Features

44 V Supply Maximum Ratings

VSS to VDD Analog Signal Range

Low On-Resistance ($< 70 \Omega$)

Low Δ RON (9Ω max)

Low RON Match (3Ω max)

Low Power Dissipation

Fast Switching Time $t_{on} < 110$ ns $t_{off} < 60$ ns

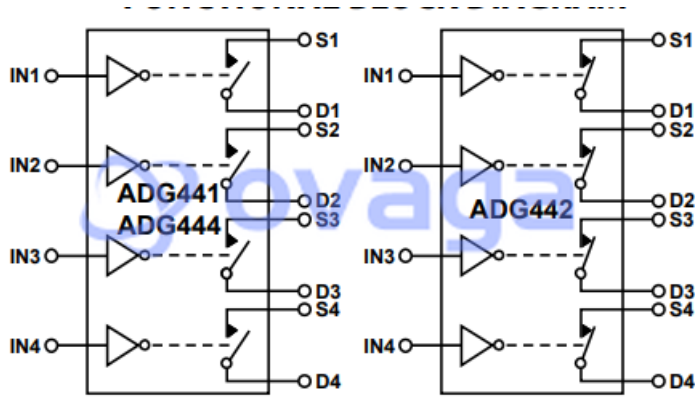
Low Leakage Current (3 nA max)

Low Charge Injection (6 pC max)

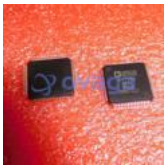
Break-Before-Make Switching Action

Latch Up Proof "A" grade options





Related Products



[ADV7181CBSTZ](#)
Analog Devices, Inc
LQFP-64



[AD8170AR](#)
Analog Devices, Inc
SOP8



[AD724JR](#)
Analog Devices, Inc
SOIC-16



[ADV7393BCPZ](#)
Analog Devices, Inc
LFCSVP-VQ-40



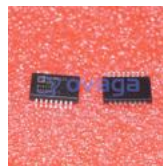
[ADV7391WBCPZ](#)
Analog Devices, Inc
LFSCP-3



[ADV7390BCPZ](#)
Analog Devices, Inc
QFN32



[ADV7341BSTZ](#)
Analog Devices, Inc
LQFP-64



[ADUM4160BRIZ](#)
Analog Devices, Inc
SOIC-16