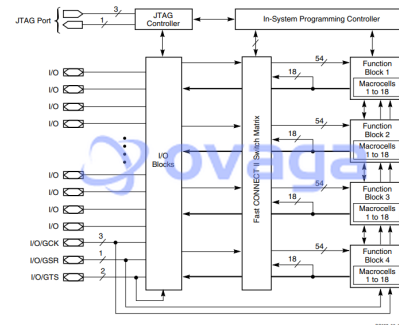


XC9572XL High Performance CPLD

Manufacturers	AMD Xilinx, Inc
Package/Case	QFP-100
Product Type	Programmable Logic ICs
RoHS	
Lifecycle	



Images are for reference only

Please submit RFQ for XC9572XL-10TQ100I or [Email to us: sales@ovaga.com](mailto:sales@ovaga.com) We will contact you in 12 hours.

[RFQ](#)

General Description

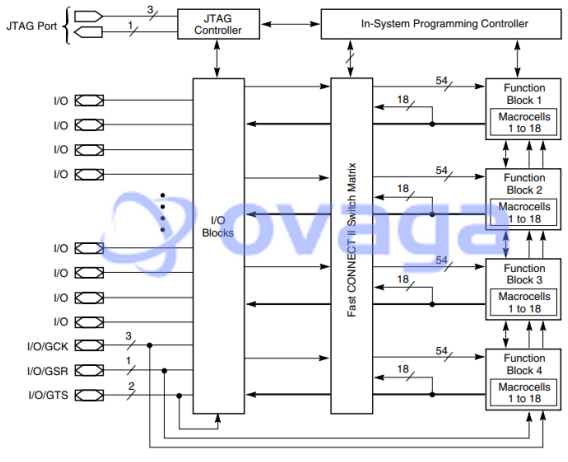
XC9572XL-10TQ100I is a Field-Programmable Gate Array (FPGA) device from the Xilinx XC9500XL series. It is a programmable logic device that can be configured to implement various digital circuits, including processors, memory interfaces, communication interfaces, and other custom logic circuits.

Features

- 72 macrocells
- 5,248 logic cells
- 114 inputs/outputs
- Maximum clock frequency of 166 MHz
- 10 ns pin-to-pin delay
- 3.3 V supply voltage

Application

- Industrial control systems
- Data communication systems
- Digital signal processing
- Automotive electronics
- Medical equipment

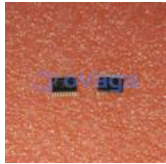


Related Products



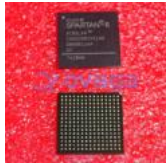
[XC18V01S020C](#)

AMD Xilinx, Inc
SOP-20



[XCF04SV0G20C](#)

AMD Xilinx, Inc
TSSOP20



[XC6SLX4-2CSG225C](#)

AMD Xilinx, Inc
BGA-225



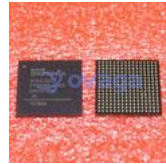
[XCV50-6BG256C](#)

AMD Xilinx, Inc
BGA256



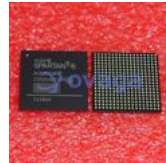
[XCF08PV0G48C](#)

AMD Xilinx, Inc
TSOP-48



[XC6SLX25-3FTG256C](#)

AMD Xilinx, Inc
BGA-256



[XC6SLX16-3CSG324C](#)

AMD Xilinx, Inc
BGA-324



[XCF32PVO48C](#)

AMD Xilinx, Inc
TSOP48